



*Shenzhen Orient Components Co., Ltd*

---



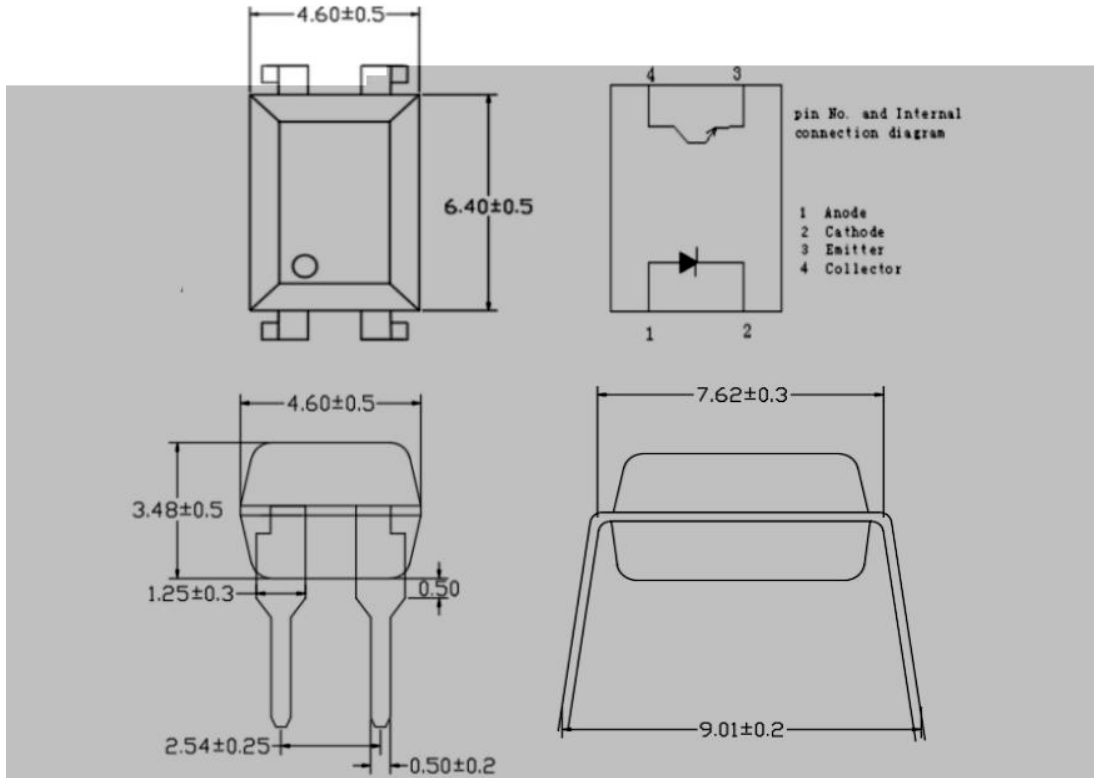






8. Package Dimension (Unit mm)

( ) -



( ) -

