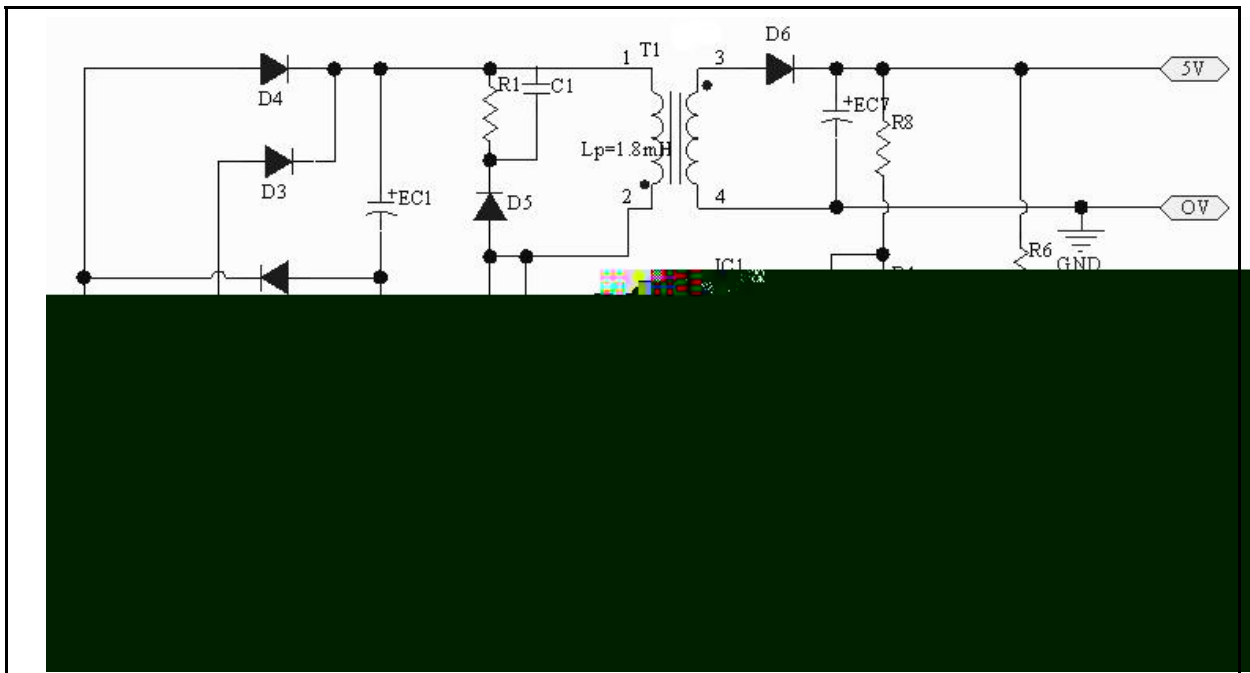


VCC	AC	85V-----265V			
VCC	AC	85V-----265V			
VCC	AC	85V-----265V			
	AC	85V-----265V			
PWM					

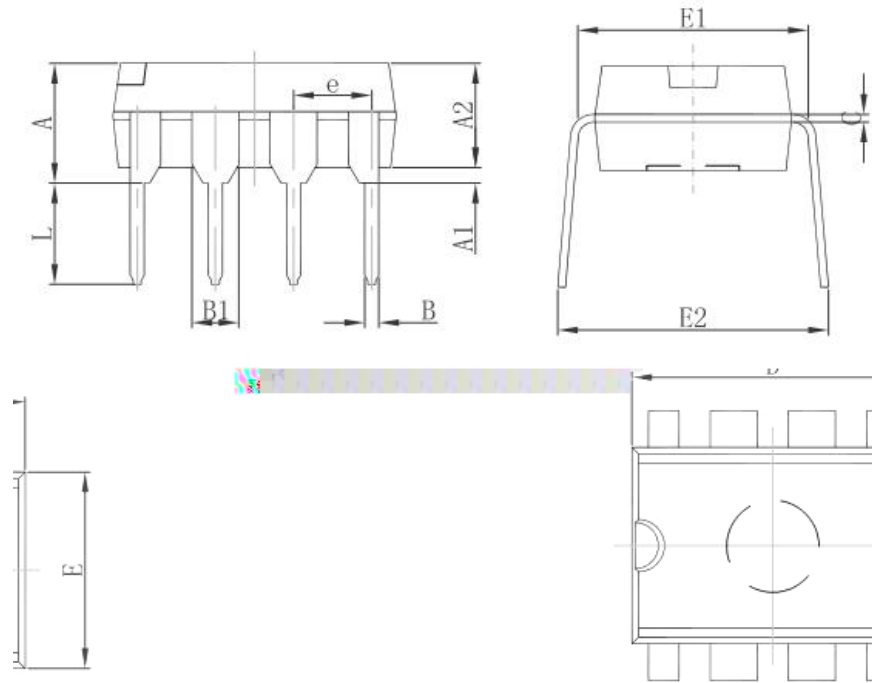
PWM

$\pi$

FB



DIP-8

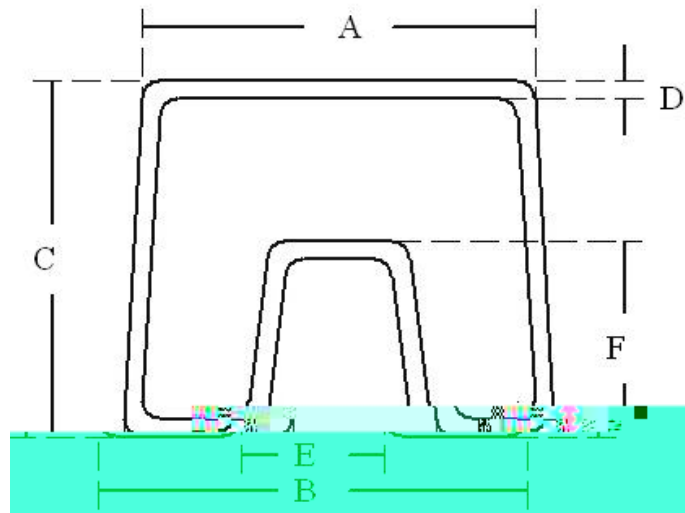


Symbol	Dimensions In Millimeters		Dimensions In Inches	
	Min	Max	Min	Max
A	3.710	4.310	0.146	0.170
A1	0.510		0.020	
A2	3.200	3.600	0.126	0.142
B	0.380	0.570	0.015	0.022
B1	1.524(BSC)		0.060(BSC)	
C	0.204	0.360	0.008	0.014
D	9.000	9.400	0.354	0.370
E	6.200	6.600	0.244	0.260
E1	7.320	7.920	0.288	0.312
e	2.540(BSC)		0.100(BSC)	
L	3.000	3.600	0.118	0.142
E2	8.400	9.200	0.331	0.354

2.

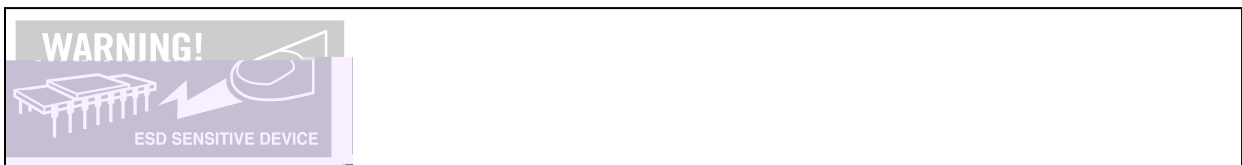
DIP-8

SCP-8



Symbol	Dimensions In Millimeters		
	Min	Rated Value	Max
A	11.00	11.50	12.00
B	11.50	12.00	12.50
C	10.00	10.50	11.00
D	0.40	0.50	0.60
E	3.50	4.00	4.50
F	5.00	5.50	5.10

QTY/tube	QTY/inner carton	QTY/master carton
50	2000	20000



- 
- 
- 
- 
- 
- 
-