



Description

! " \$ %

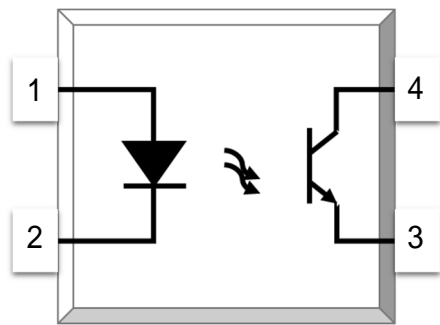
Features

& ' () * +
 , * - %
 ,
 . / ,
 * 1 , &
 &
 + 2 0
 * %
 32 . 320 ''
) 1 . 14 (' ' . . 5) 1 (66 . 7
 , 8 , 9 : ; "0\$:66;6

Applications

-
-
- &
- <

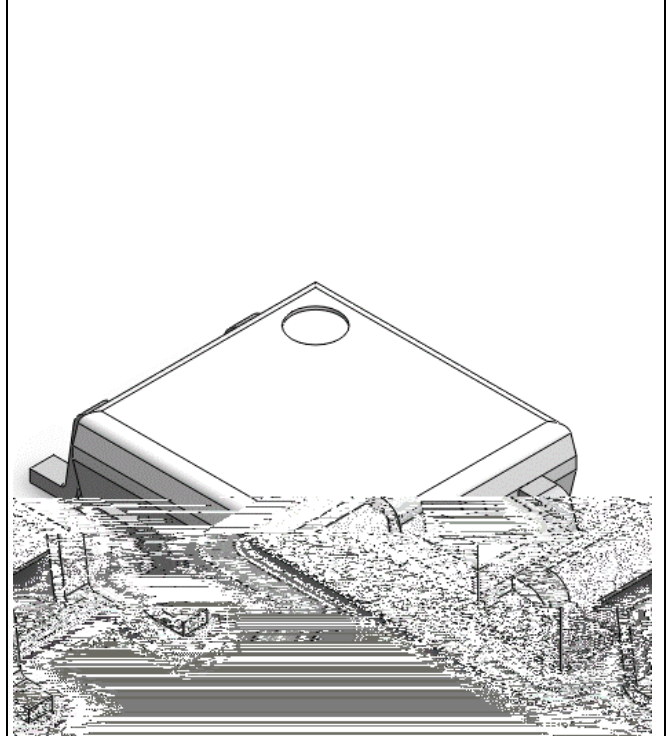
SCHEMATIC



PIN DEFINITION

1. Anode
2. Cathode
3. Emitter
4. Collector

PAC A! E O "T#INE





A ' SO# " TE MA (IM " M) ATIN ! S				
* +1 1 *	=+ : 2) 231	34>	4 1
>4 3				
? ,	>?	(
! ? ,	>?	0		0
* %)) *)	
>	>	0((#	
3 3				
, . 1)) ,1	6()	
1 . ,)) 1,	')	
, ,	> ,	(
		0 (#	
, ++ 4				
		@((#	
>))	(()	@
		. A00(/ ,	
		. A0@	/ ,	
		@ (/ ,	

Note 1. 100µs pulse! 100"#\$re%uency
 Note 2. &' (or 1) inute! R." . * +0 , -0.



E#ECT) ICA# OPTICA# CHA) ACTE) ISTICS at Ta*2+,C						
* +1 1*	=+ : 2	+>4	= " + B" 34>	1 , 4 > > 4	4 1	
>4 3						
?))?	.	0"@ 0")	>?C0(
* % ,	>*	.	. 0(D) *C)		
> ,	,	.	0(. ?)C(\$ CO!&E		
3 3						
, ! ,	>,1	.	. 0(() , 1C@()\$>?C(
, .1 : !)	:) ,1	6(. .)	>, C("0 \$>?C(
1 ' , : !)	:) 1,	' . .)	>1C("0 \$>?C(
* 4 ?1* , & * , 1*> > ,						
, *	:	, *	(. ((F	>?C \$) , 1C)	
			6(. 0 (
			0 (. @ (
			@((. ((
			((. ((
			. 0@			
			0((. @((
			0 (. @ (
			@ (. ((
, .1)) , 15 7	.	(" ("@)	>?C@ (\$>, CO		
> *	*>	0(GO@ 0(GO	. H	, (()\$ (A (F *"&"		
? ,	,>	.	(" 0 ?)C(\$ CO+&E		
, . ? <		.	6(. !&E) , 1C@)\$>, C@ *2CO((H\$. :		
* 5* 7		.	06 D) , 1C@)\$>, C@		
* 5? 7		.	06 D	*2CO((H		

Note 3. (i/.12013

Note +. (i/.1+



CHARACTERISTIC CURVES - ES

Fig. 1 Forward Current vs. Ambient Temperature

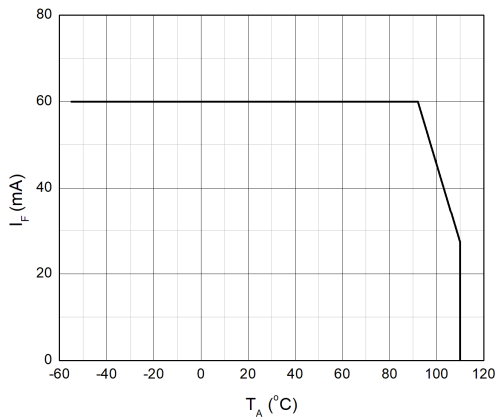


Fig. 2 Collector Power Dissipation vs. Ambient Temperature

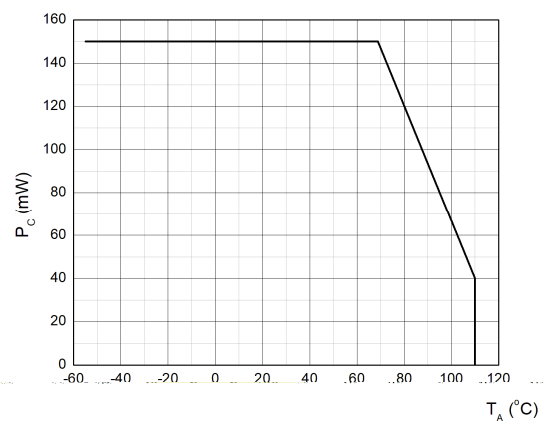


Fig. 3 Forward Current vs. Forward Voltage

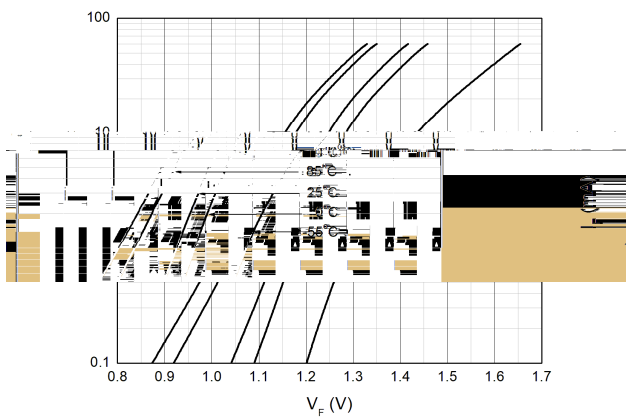


Fig. 4 Collector Dark Current vs. Ambient Temperature

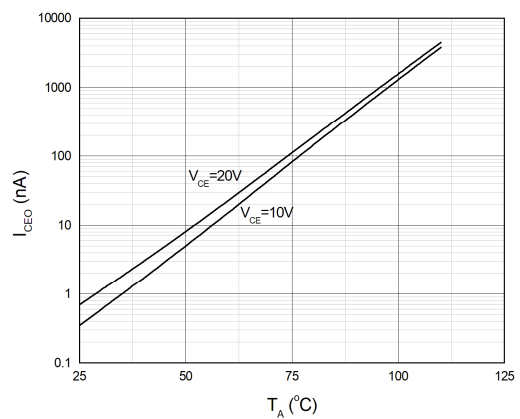


Fig. 5 Collector Current vs. Collector-Emitter Voltage

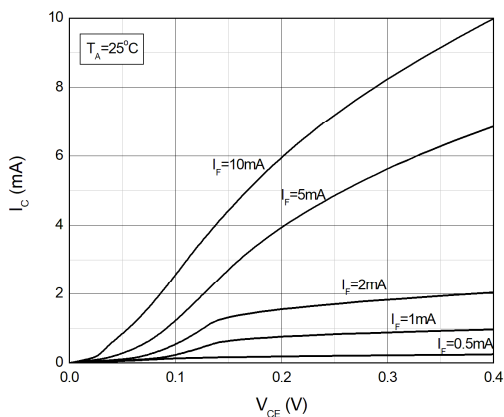
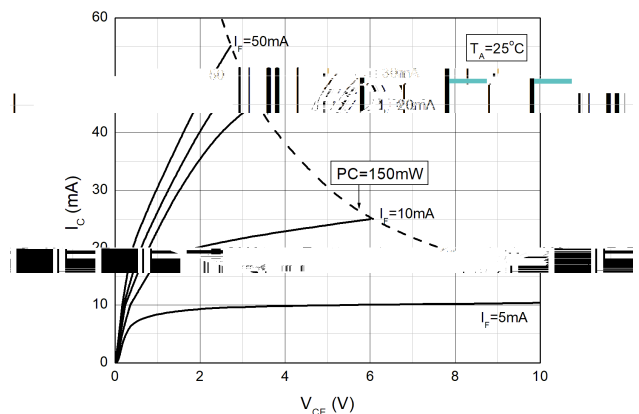


Fig. 6 Collector Current vs. Collector-Emitter Voltage





CHARACTERISTIC CURVES

Fig. 5 Normalized Current Transfer Ratio vs. Forward Current

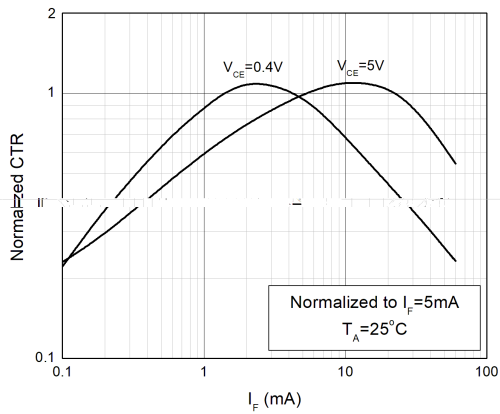


Fig. 8 Normalized Current Transfer Ratio vs. Ambient Temperature

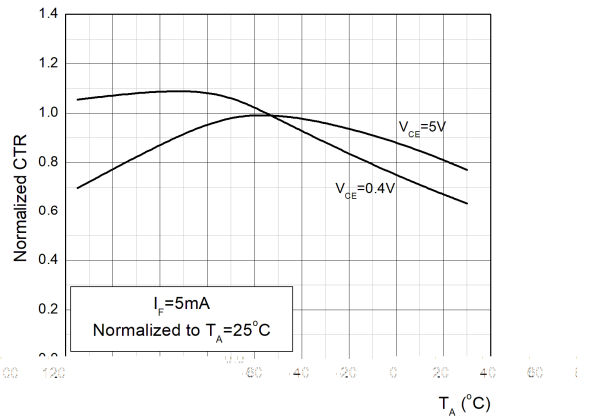


Fig. 9 Collector-Emitter Saturation Voltage vs. Ambient Temperature

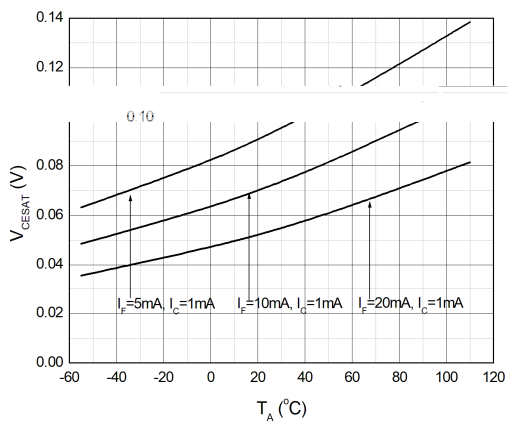


Fig. 10 Switching Time vs. Load Resistance

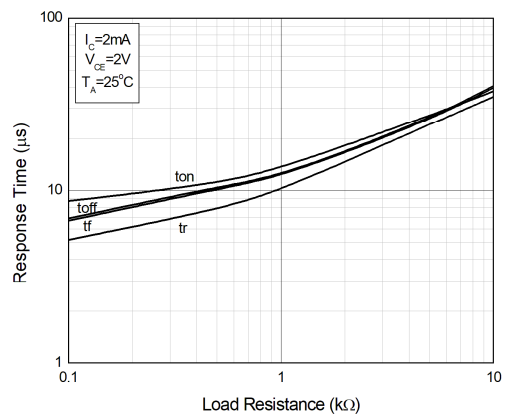
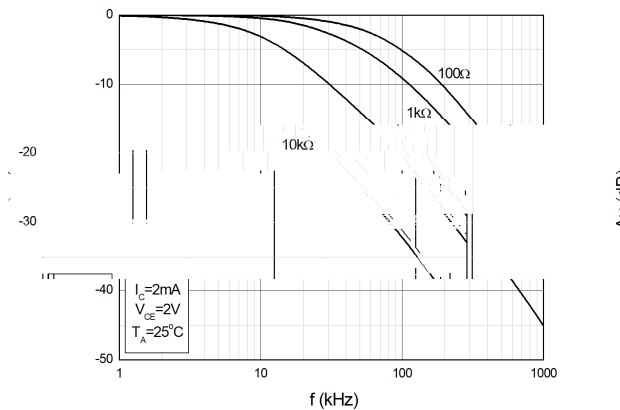


Fig. 11 Frequency Response





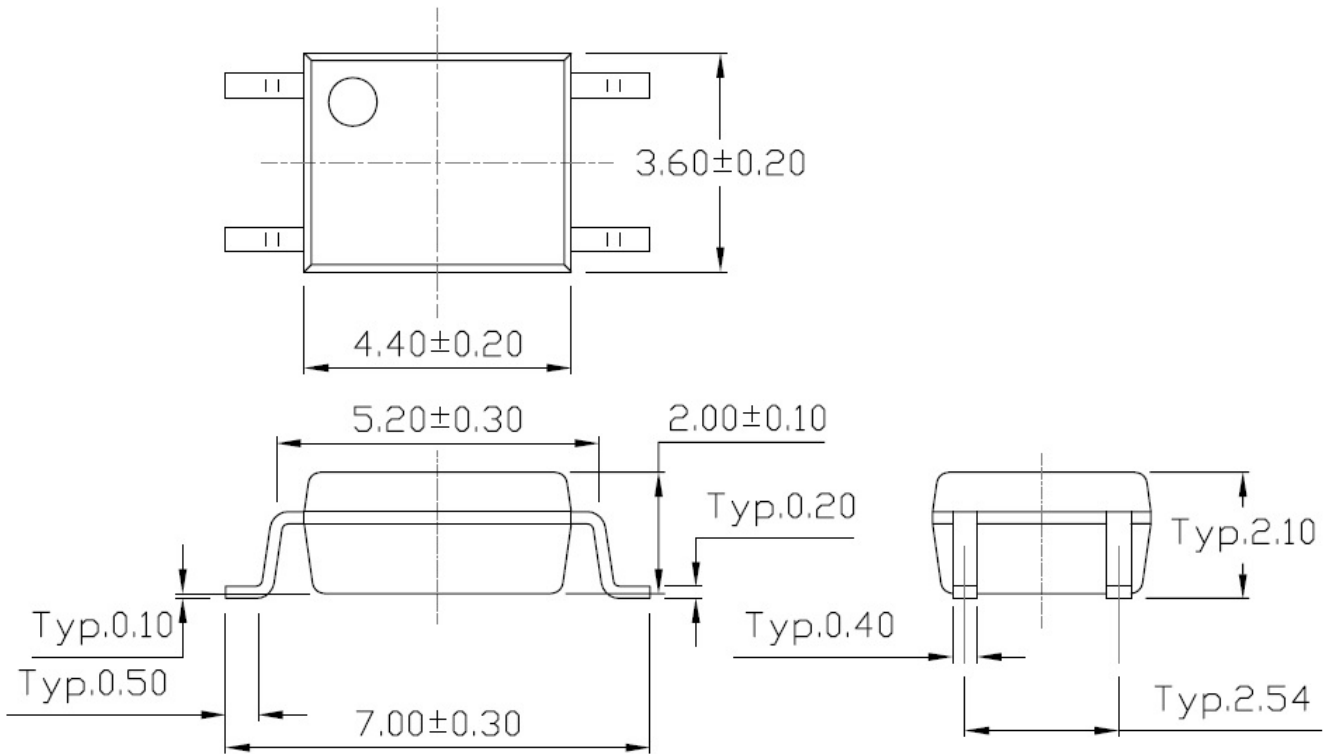
TEST CIRCUITS

Fig. 12 Test Circuit of LED

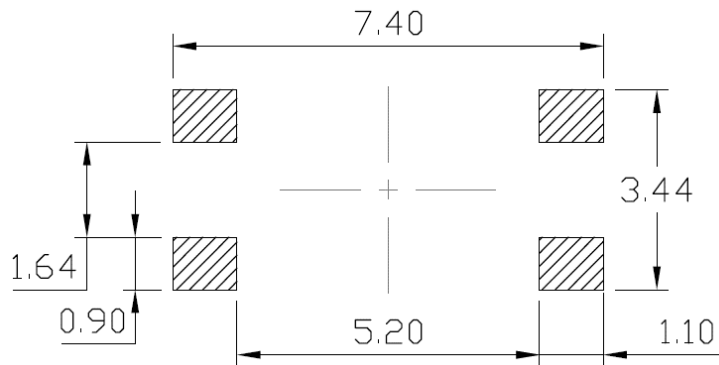
Fig. 13 Test Circuit of LED



PAC A ! E DIMENSIONS (Dimension\$ in mm &nle\$\$ other / i\$e \$tated=



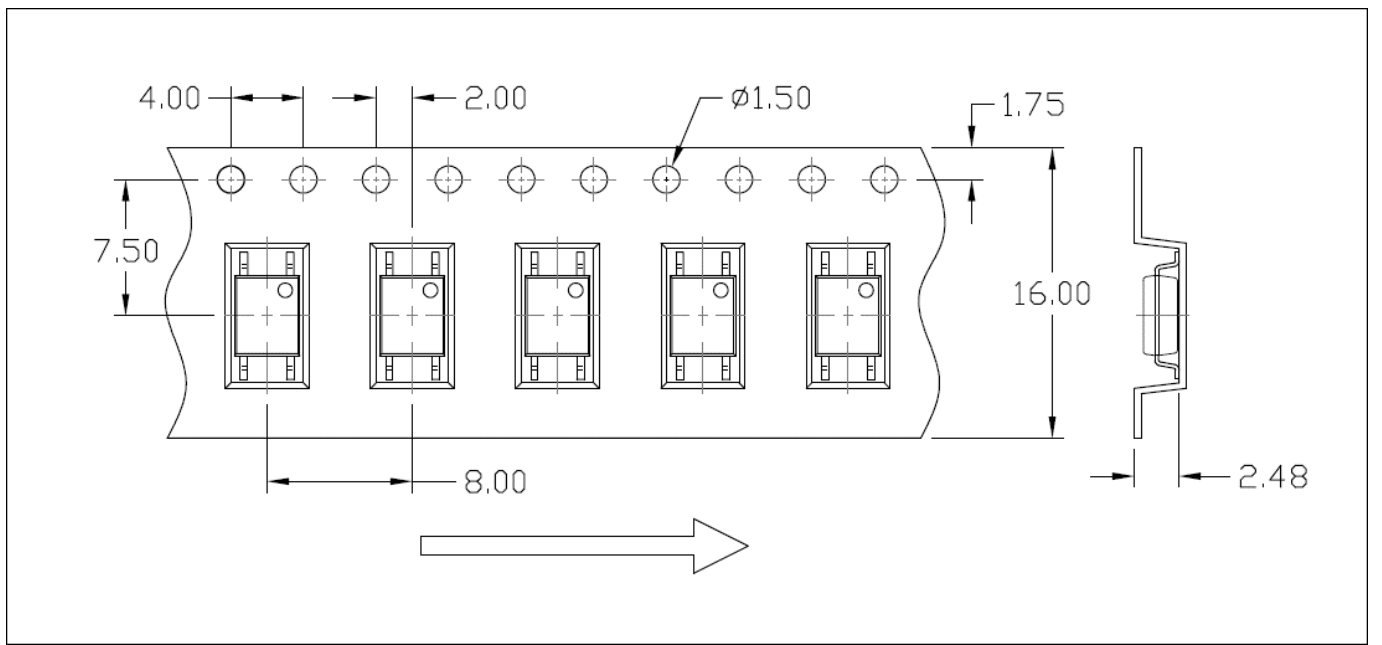
) ecommended Solder Ma\$2 (Dimension\$ in mm &nle\$\$ other / i\$e \$tated=



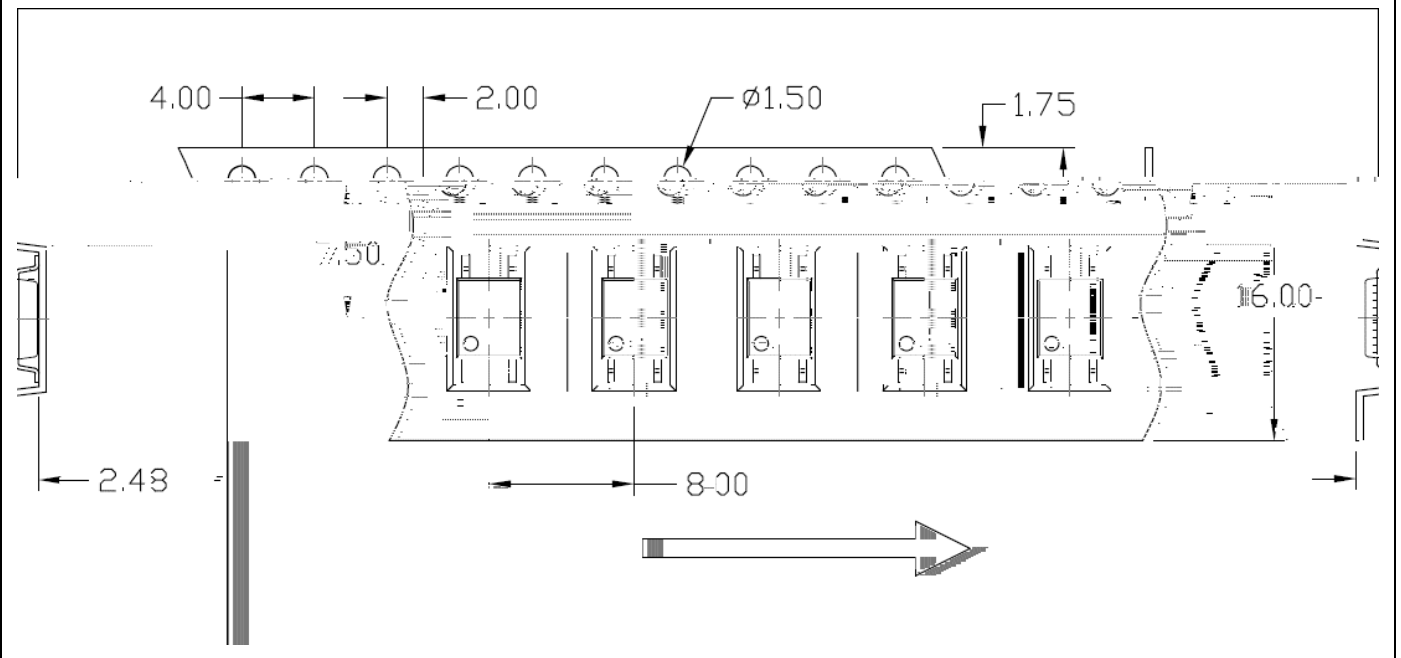


CA) IE) TAPE SPECIFICATIONS (Dimension\$ in mm & nle\$\$ other / ise \$tated=

O%tion T1



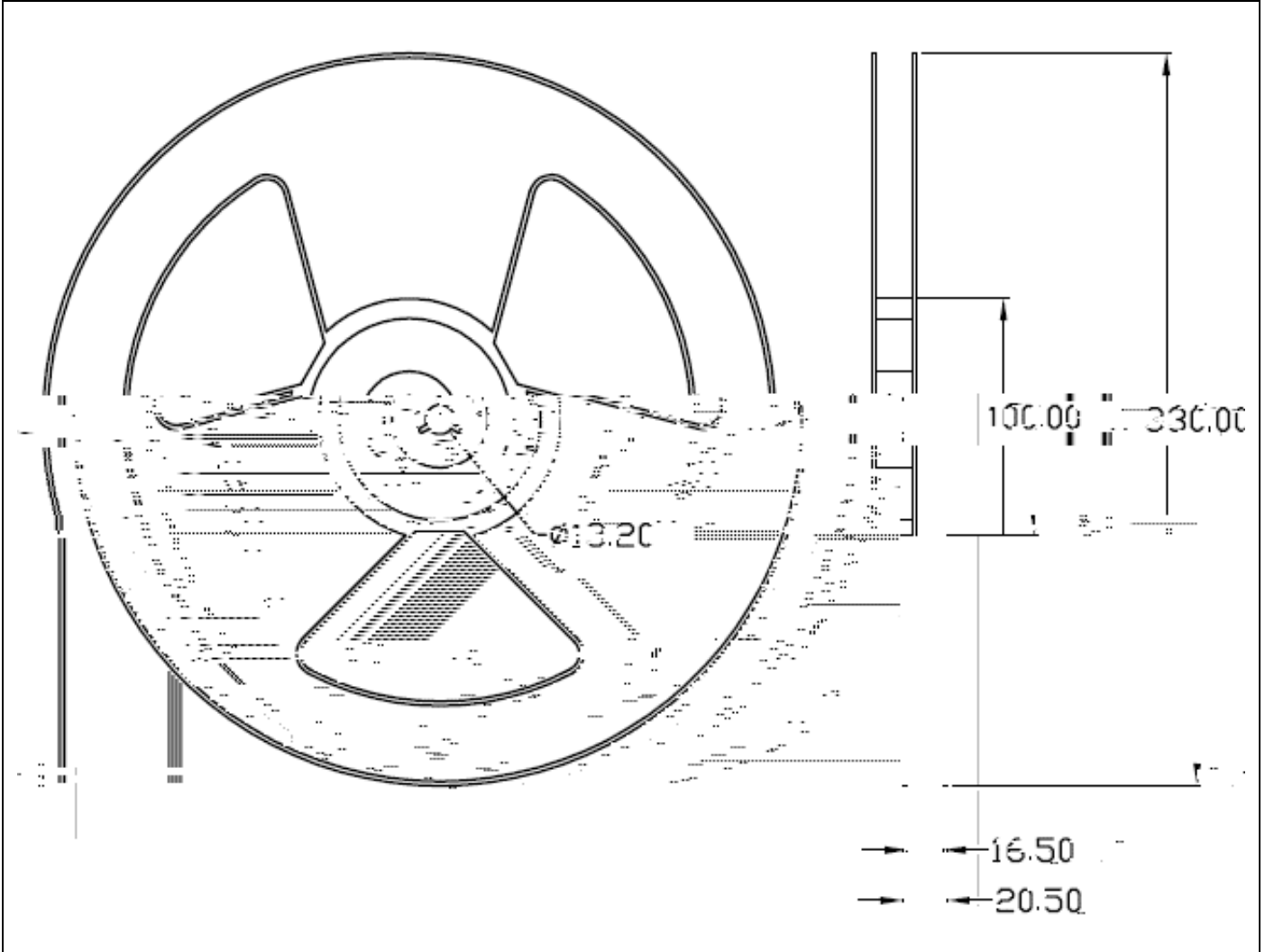
O%tion T2





) EE# SPECIFICATIONS (Dimension\$ in mm &nle\$\$ other / i\$e \$tated=

O%tion T1 > T2





' O(SPECIFICATIONS () eel T<%e=

Inner ' o?

1 2 3 2 " * 3-cm 2 3-cm 2 -.9cm

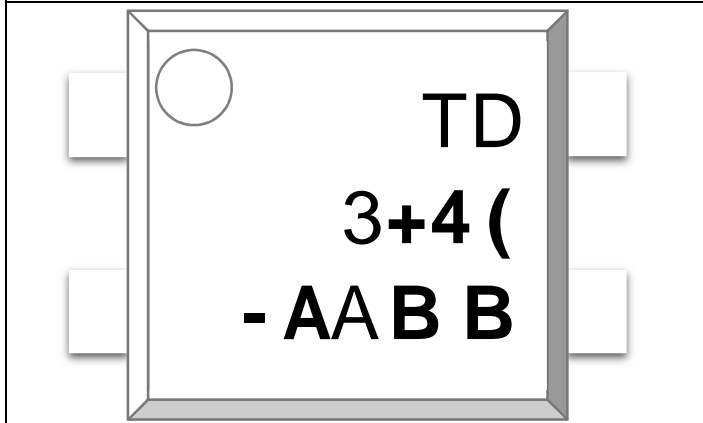
O&ter ' o?

1 2 3 2 " * +5cm 2 34cm 2 34cm



O)DE)IN! AND MA) IN! INFO)MATION

MA) IN! INFO)MATION



TD @ Com%an< A11r.
 3+4 @ Part N&m1er
 (@ CT))an2
 - @ -DE O%tion
 A @ Fi\$cal Aear
 A @ Man&7act&rIn. Code
 B B @ Bor2 Bee2

O)DE)IN! INFO)MATION

#A'E# INFO)MATION

TD3+4 (CD=3! -

9 , "
 9 4
 B 9 * ! 5 ! : ! , ! 4 7
 J 9 * 5 0 ! @ 7
 9
) 9) 1 5) 4 7


福建天电光电有限公司
 FUJIAN LIGHTNING OPTOELECTRONIC CO., LTD.

Part No : XXXXXXXXXXXX Bin Code : X

 Lot No : XXXXXXXXXXXX
 Date Code : XXXX
 Q'ty : XXXX pcs



PAC IN! E" ANTITA

O%tion	E&antit<	E&antit< F Inner 1o?	E&antit< F O&ter 1o?
0	(((3 I*	* > -	> -I -C ! 3
@	(((3 I*	* > -	> -I -C ! 3



OBJECT INFORMATION

OBJECT PROFILE

Profile Feature

Sn3P1 Assembly Profile

P13Free Assembly



DISC#AIME)

2> & 4>4	%	<	\$	\$	" 2> & 4>4
%	!			"	
	%				
"					
2> & 4>4	!	\$			" -
-		\$ 2> & 4>4	5 7		
		\$ 5 7	\$		\$
<		\$ 5 7		\$	
		\$ <	\$	% \$ 1%	< \$
		\$.		"
			\$	\$	% \$ \$
%				L	"
2> & 4>4				<	"
>				"	
%	%	%			%
%	"	\$		\$	%
			-	"	-
2> & 4>4				\$	
-	"				
		!		\$.
		"			">