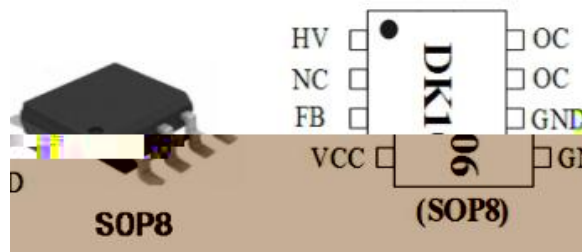


6W

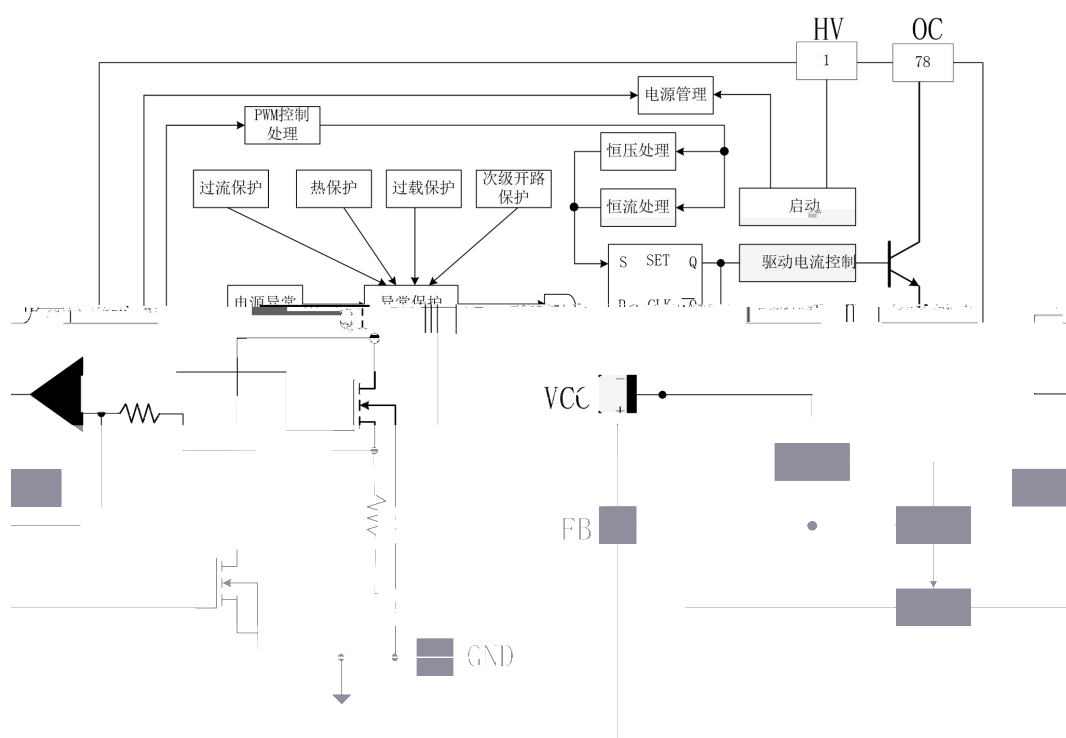
- 
- 
- 
- 
- 
- 
- 
- 
- 
- 

- 
- 
- 
- 
- 



|       |  |  |  |
|-------|--|--|--|
|       |  |  |  |
| DK106 |  |  |  |
|       |  |  |  |

|  |  |  |
|--|--|--|
|  |  |  |
|  |  |  |
|  |  |  |
|  |  |  |
|  |  |  |
|  |  |  |



---



1.

2.

3 PWM

4 FB

5.

6.

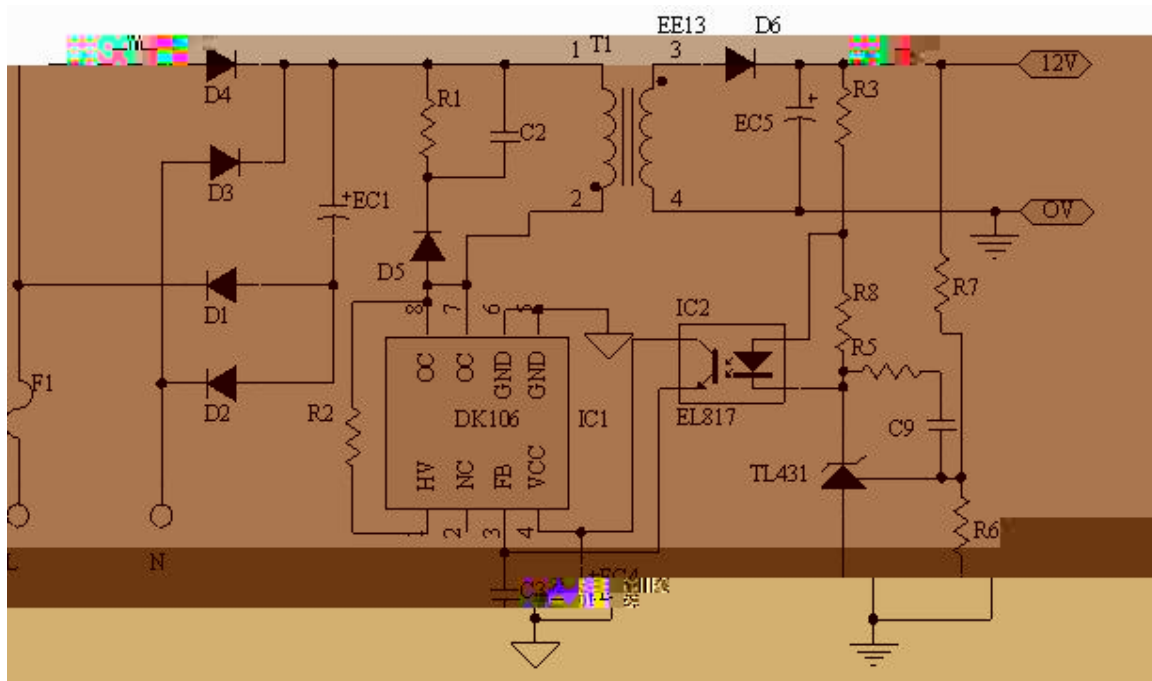
7.

8.

9.

10.

11.







- 
- 
- 
- 
- 
- 
- 
-