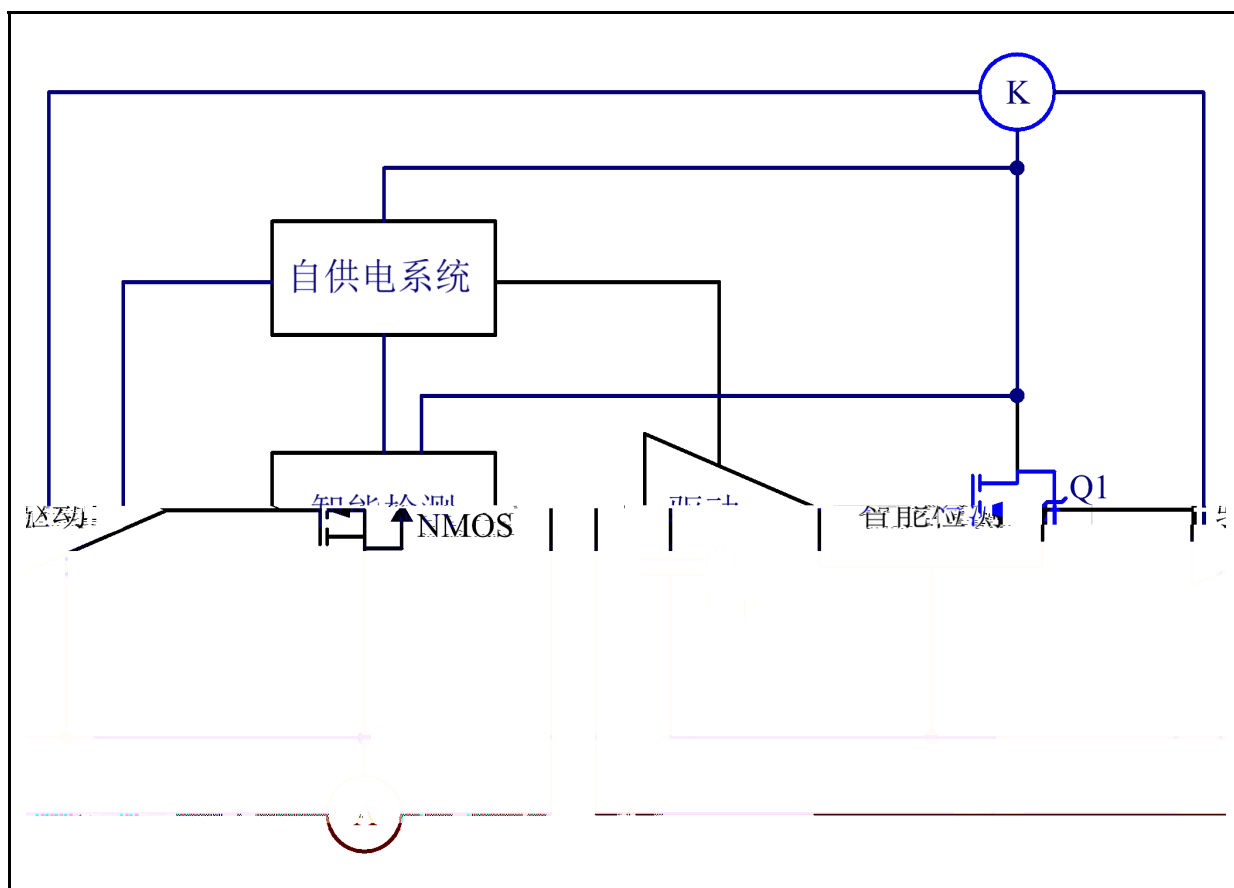


	C	
	A	

DK5V85R15SL	85-265VAC	12V, 3.1A

A

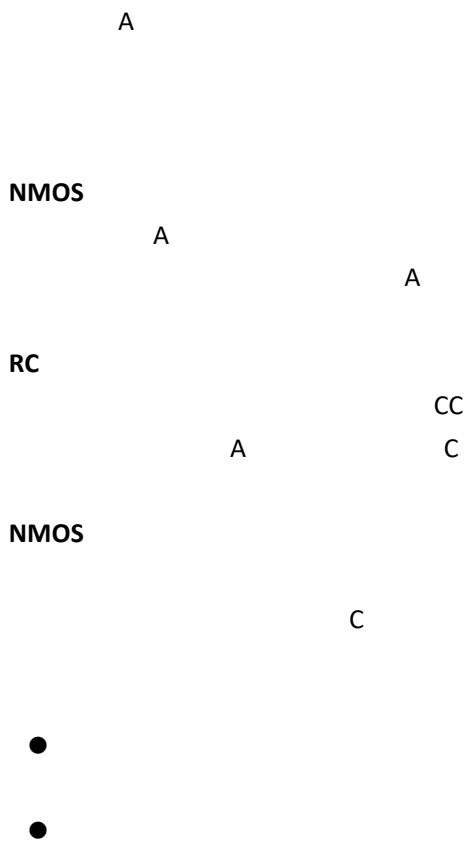


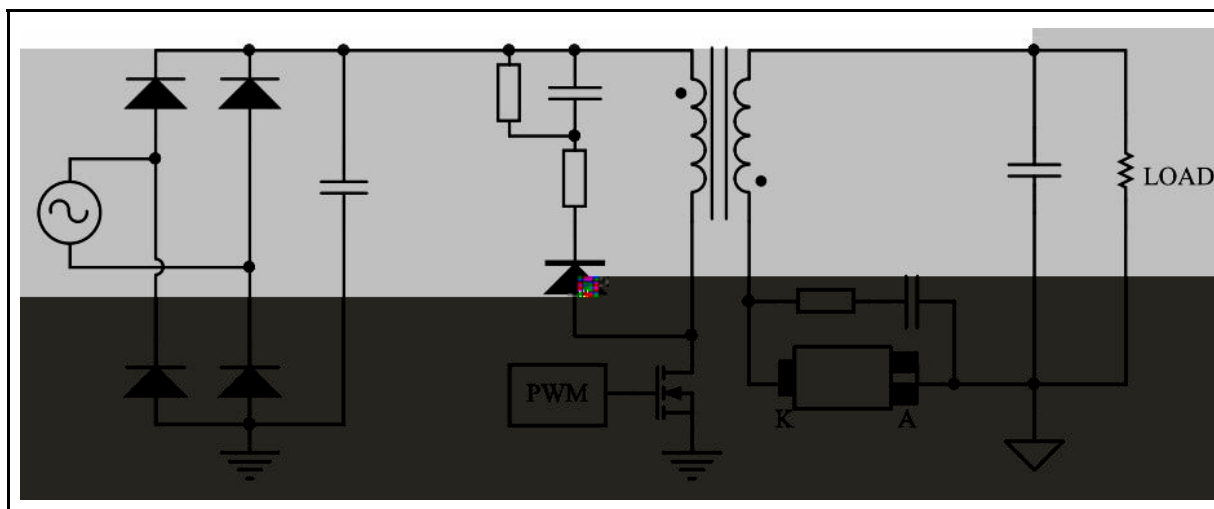
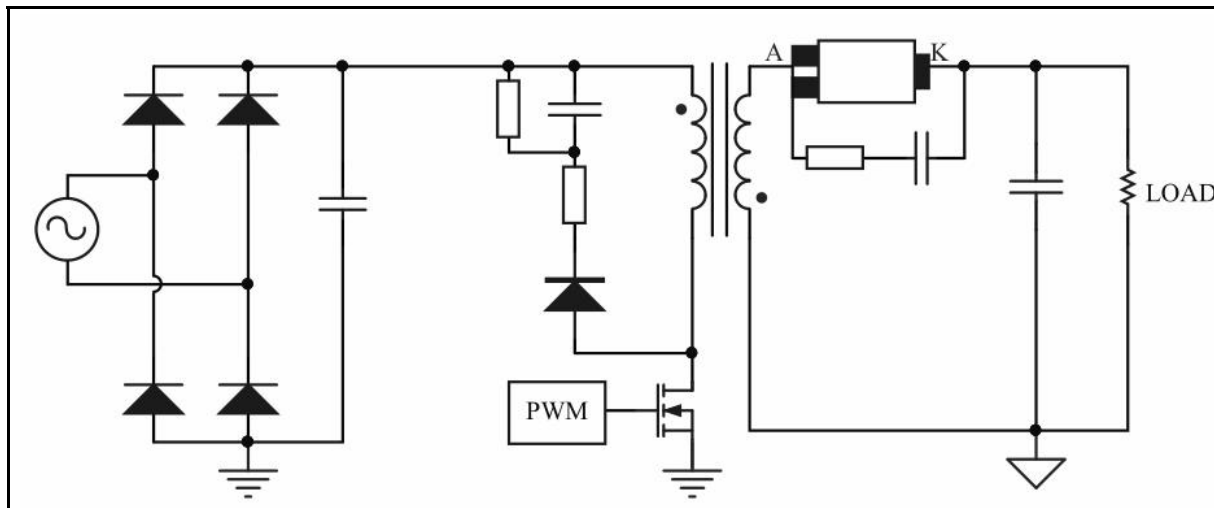
	B				
	C C				A
	C				A
	A				
	A				
	C				
B			±		
			±		

A


	CC					
	CC					
<b>&amp;</b>						
	A					
	A					
<b>NMOS</b>						

A







<p><b>WARNING!</b></p> 	<p>ESD</p>
--	------------

- 
- 
- 
- 
- 
- 
- 
  
-